

SECTION **IP**
INSTRUMENT PANEL

A
B
C
D
E
F
G
H
I
IP
K
L
M
N
O
P

CONTENTS

SYMPTOM DIAGNOSIS	2	PREPARATION	10
SQUEAK AND RATTLE TROUBLE DIAG- NOSES	2	PREPARATION	10
Work Flow	2	Special Service Tools	10
Inspection Procedure	4	Commercial Service Tools	10
Diagnostic Worksheet	6	CLIP LIST	11
PRECAUTION	8	Clip List	11
PRECAUTIONS	8	REMOVAL AND INSTALLATION	12
Precaution for Supplemental Restraint System (SRS) "AIR BAG" and "SEAT BELT PRE-TEN- SIONER"	8	INSTRUMENT PANEL ASSEMBLY	12
Service Procedure Precautions for Models with a Pop-up Roll Bar	8	Exploded View	12
Precaution	8	Removal and Installation	13
		CENTER CONSOLE ASSEMBLY	20
		Exploded View	20
		Removal and Installation	21

SQUEAK AND RATTLE TROUBLE DIAGNOSES

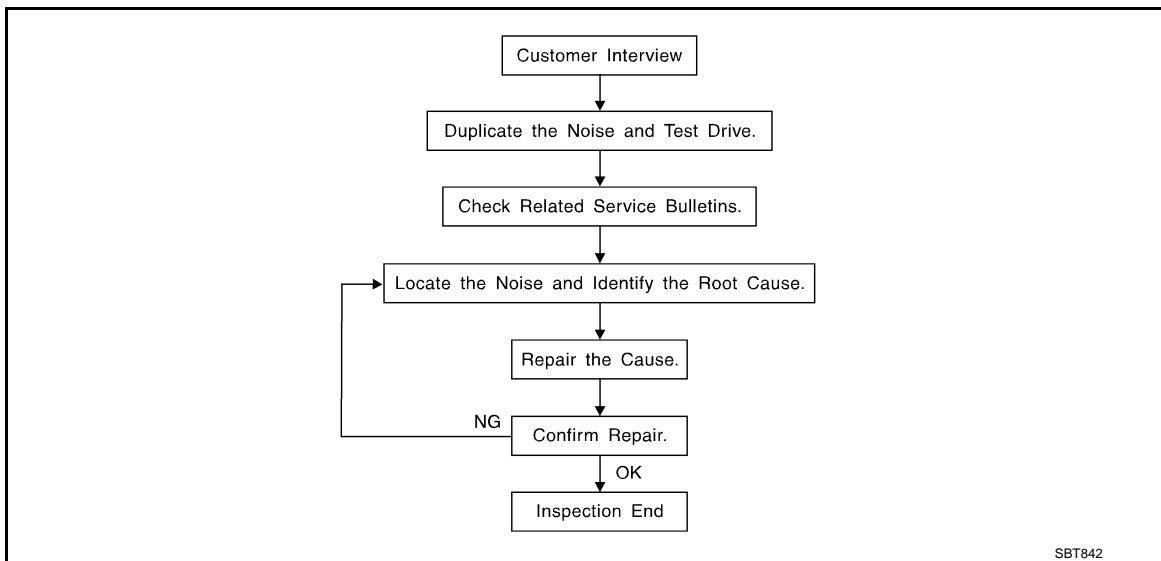
< SYMPTOM DIAGNOSIS >

SYMPTOM DIAGNOSIS

SQUEAK AND RATTLE TROUBLE DIAGNOSES

Work Flow

INFOID:000000007566551



CUSTOMER INTERVIEW

Interview the customer if possible, to determine the conditions that exist when the noise occurs. Use the Diagnostic Worksheet during the interview to document the facts and conditions when the noise occurs and any customer comments. Refer to [IP-6. "Diagnostic Worksheet"](#). This information is necessary to duplicate the conditions that exist when the noise occurs.

- The customer may not be able to provide a detailed description or the location of the noise. Attempt to obtain all the facts and conditions that exist when the noise occurs (or does not occur).
- If there is more than one noise in the vehicle, perform a diagnosis and repair the noise that the customer is concerned about. This can be accomplished by performing a test drive with the customer.
- After identifying the type of noise, isolate the noise in terms of its characteristics. The noise characteristics are provided so that the customer, service adviser, and technician use the same language when describing the noise.
- Squeak – (Like tennis shoes on a clean floor)
Squeak characteristics include the light contact / fast movement / brought on by road conditions / hard surfaces = high-pitched noise / softer surfaces = low-pitched noises / edge to surface = chirping
- Creak – (Like walking on an old wooden floor)
Creak characteristics include firm contact / slow movement/twisting with a rotational movement / pitch dependent on materials / often brought on by activity.
- Rattle – (Like shaking a baby rattle)
Rattle characteristics include fast repeated contact / vibration or similar movement / loose parts/missing clip or fastener / incorrect clearance.
- Knock – (Like a knock on a door)
Knock characteristics include hollow sounds / sometimes repeating / often brought on by driver action.
- Tick – (Like a clock second hand)
Tick characteristics include gentle contacting of light materials / loose components / can be caused by driver action or road conditions.
- Thump – (Heavy, muffled knock noise)
Thump characteristics include softer knock / dull sounds often brought on by activity.
- Buzz – (Like a bumblebee)
Buzz characteristics include high frequency rattle / firm contact.
- Often the degree of acceptable noise level varies depending upon the person. A noise that a technician may judge as acceptable may be very irritating to a customer.
- Weather conditions, especially humidity and temperature, may have a great effect on noise level.

DUPLICATE THE NOISE AND TEST DRIVE

SQUEAK AND RATTLE TROUBLE DIAGNOSES

< SYMPTOM DIAGNOSIS >

If possible, drive the vehicle with the customer until the noise is duplicated. Note any additional information on the Diagnostic Worksheet regarding the conditions or location of the noise. This information can be used to duplicate the same conditions when the repair is reconfirmed.

If the noise can be duplicated easily during the test drive, to help identify the source of the noise, try to duplicate the noise with the vehicle stopped by doing one or all of the following items:

- 1) Close a door.
 - 2) Tap or push/pull around the area where the noise appears to be coming from.
 - 3) Rev the engine.
 - 4) Use a floor jack to recreate vehicle "twist".
 - 5) At idle, apply engine load (electrical load, half-clutch on M/T models, drive position on A/T models).
 - 6) Raise the vehicle on a hoist and hit a tire with a rubber hammer.
- Drive the vehicle and attempt to duplicate the conditions the customer states exist when the noise occurs.
 - If it is difficult to duplicate the noise, drive the vehicle slowly on an undulating or rough road to stress the vehicle body.

CHECK RELATED SERVICE BULLETINS

After verifying the customer concern or symptom, check ASIST for Technical Service Bulletins (TSBs) related to the concern or symptom.

If a TSB relates to the symptom, follow the procedure to repair the noise.

LOCATE THE NOISE AND IDENTIFY THE ROOT CAUSE

1. Narrow down the noise to a general area. To help pinpoint the source of the noise, use a listening tool (Chassis ear: J-39570, engine ear, and mechanics stethoscope).
2. Narrow down the noise to a more specific area and identify the cause of the noise by:
 - Removing the component(s) in the area that is / are suspected to be the cause of the noise. Do not use too much force when removing clips and fasteners, otherwise clips and fasteners can be broken or lost during the repair, resulting in the creation of new noise.
 - Tapping or pushing/pulling the component(s) that is / are suspected to be the cause of the noise. Do not tap or push/pull the component(s) with excessive force, otherwise the noise is eliminated only temporarily.
 - Feeling for a vibration by hand by touching the component(s) that is / are suspected to be the cause of the noise.
 - Placing a piece of paper between components that are suspected to be the cause of the noise.
 - Looking for loose components and contact marks.
Refer to [IP-4, "Inspection Procedure"](#).

REPAIR THE CAUSE

- If the cause is a loose component, tighten the component securely.
- If the cause is insufficient clearance between components:
 - Separate components by repositioning or loosening and retightening the components, if possible.
 - Insulate components with a suitable insulator such as urethane pads, foam blocks, felt cloth tape, or urethane tape. A NISSAN Squeak and Rattle Kit (J-43980) is available through the authorized NISSAN Parts Department.

CAUTION:

Never use excessive force as many components are constructed of plastic and may be damaged.

NOTE:

Always check with the Parts Department for the latest parts information.

The following materials are contained in the NISSAN Squeak and Rattle Kit (J-43980). Each item can be ordered separately as needed.

URETHANE PADS [1.5 mm (0.059 in) thick]

Insulates connectors, harness, etc.

- 76268-9E005: 100 × 135 mm (3.937 × 5.315 in)
- 76884-71L01: 60 × 85 mm (2.362 × 3.346 in)
- 76884-71L02: 15 × 25 mm (0.591 × 0.984 in)

INSULATOR (Foam blocks)

Insulates components from contact. Can be used to fill space behind a panel.

- 73982-9E000: 45 mm (1.772 in) thick, 50 × 50 mm (1.969 × 1.969 in)
- 73982-50Y00: 10 mm (0.394 in) thick, 50 × 50 mm (1.969 × 1.969 in)

INSULATOR (Light foam block)

80845-71L00: 30 mm (1.18 in) thick, 30 × 50 mm (1.181 × 1.969 in)

FELT CLOTHTAPE

SQUEAK AND RATTLE TROUBLE DIAGNOSES

< SYMPTOM DIAGNOSIS >

Used to insulate where movement does not occur. Ideal for instrument panel applications.

- 68370-4B000: 15 × 25 mm (0.591 × 0.984 in) pad
- 68239-13E00: 5 mm (0.197 in) wide tape roll

The following materials, not found in the kit, can also be used to repair squeaks and rattles.

UHMW (TEFLON) TAPE

Insulates where slight movement is present. Ideal for instrument panel applications.

SILICONE GREASE

Used in place of UHMW tape that is visible or does not fit. Only lasts a few months.

SILICONE SPRAY

Used when grease cannot be applied.

DUCT TAPE

Used to eliminate movement.

CONFIRM THE REPAIR

After repair is complete, test drive the vehicle to confirm that the cause of noise is repaired by test driving the vehicle. Operate the vehicle under the same conditions as when the noise originally occurred. Refer to the notes on the Diagnostic Worksheet.

Inspection Procedure

INFOID:000000007566552

Refer to Table of Contents for specific component removal and installation information.

INSTRUMENT PANEL

Most incidents are caused by contact and movement between:

1. The cluster lid A and instrument panel
2. Acrylic lens and combination meter housing
3. Instrument panel to front pillar garnish
4. Instrument panel to windshield
5. Instrument panel mounting pins
6. Wiring harnesses behind the combination meter
7. A/C defroster duct and duct joint

These incidents can usually be located by tapping or moving the components to duplicate the noise or by pressing on the components while driving to stop the noise. Most of these incidents can be repaired by applying felt cloth tape or silicon spray (in hard to reach areas). Urethane pads can be used to insulate wiring harness.

CAUTION:

Never use silicone spray to isolate a squeak or rattle. If the area is saturated with silicone, the recheck of repair becomes impossible.

CENTER CONSOLE

Components to check include:

1. Shifter assembly cover to finisher
2. A/C control unit and cluster lid C
3. Wiring harnesses behind audio and A/C control unit

The instrument panel repair and isolation procedures also apply to the center console.

DOORS

Check the following items:

1. Finisher and inner panel making a slapping noise
2. Inside handle escutcheon connection to door finisher
3. Wiring harnesses tapping
4. Door striker out of alignment causing a popping noise on starts and stops

Tapping, moving the components, or pressing on them while driving to duplicate the conditions can isolate many of these incidents. The areas can usually be insulated with felt cloth tape or insulator foam blocks from the NISSAN Squeak and Rattle Kit (J-43980) to repair the noise.

TRUNK

Trunk noises are often caused by a loose jack or loose items put into the trunk by the customer.

In addition check for the following items:

SQUEAK AND RATTLE TROUBLE DIAGNOSES

< SYMPTOM DIAGNOSIS >

1. Trunk lid dumpers out of adjustment
2. Trunk lid striker out of adjustment
3. Trunk lid torsion bars knocking together
4. A loose license plate or bracket

Most of these incidents can be repaired by adjusting, securing, or insulating the item(s) or component(s) causing the noise.

SUNROOF/HEADLINING

Noises in the sunroof / headlining area can often be traced to one of the following items:

1. Sunroof lid, rail, linkage, or seals making a rattle or light knocking noise
2. Sunvisor shaft shaking in the holder
3. Front or rear windshield touching headlining and squeaking

Again, pressing on the components to stop the noise while duplicating the conditions can isolate most of these incidents. Repairs usually consist of insulating with felt cloth tape.

SEATS

When isolating seat noise it is important to note the position the seat is in and the load placed on the seat when the noise occurs. These conditions should be duplicated when verifying and isolating the cause of the noise.

Causes of seat noise include:

1. Headrest rods and holder
2. A squeak between the seat pad cushion and frame
3. The rear seatback lock and bracket

These noises can be isolated by moving or pressing on the suspected components while duplicating the conditions under which the noise occurs. Most of these incidents can be repaired by repositioning the component or applying urethane tape to the contact area.

UNDERHOOD

Some interior noise may be caused by components under the hood or on the engine wall. The noise is then transmitted into the passenger compartment.

Causes of transmitted underhood noise include:

1. Any component mounted to the engine wall
2. Components that pass through the engine wall
3. Engine wall mounts and connectors
4. Loose radiator mounting pins
5. Hood bumpers out of adjustment
6. Hood striker out of adjustment

These noises can be difficult to isolate since they cannot be reached from the interior of the vehicle. The best method is to secure, move, or insulate one component at a time and test drive the vehicle. Also, engine RPM or load can be changed to isolate the noise. Repairs can usually be made by moving, adjusting, securing, or insulating the component causing the noise.

A
B
C
D
E
F
G
H
I
IP
K
L
M
N
O
P

SQUEAK AND RATTLE TROUBLE DIAGNOSES

< SYMPTOM DIAGNOSIS >

Diagnostic Worksheet

INFOID:000000007566553



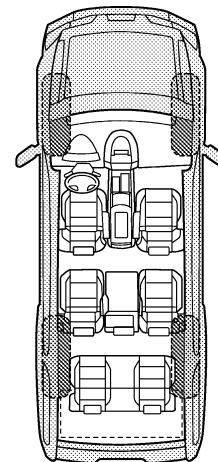
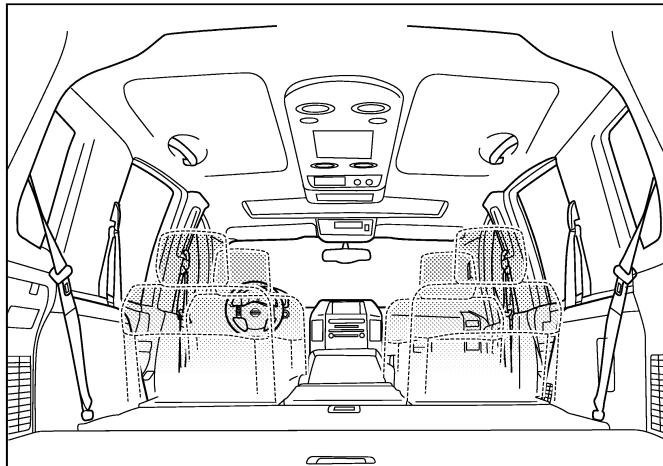
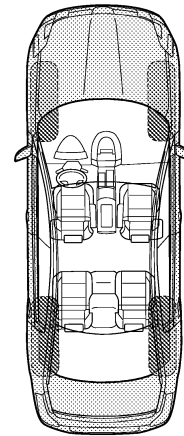
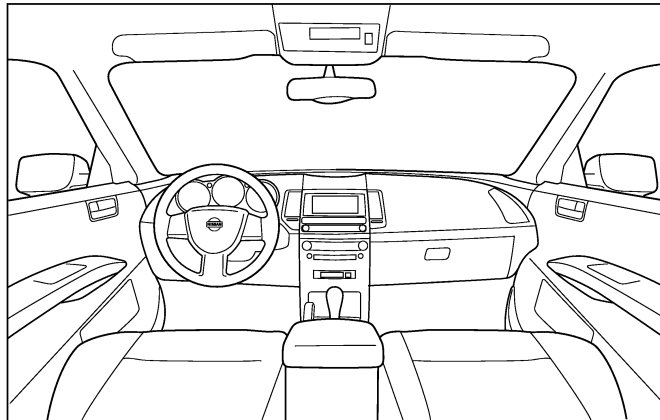
SQUEAK & RATTLE DIAGNOSTIC WORKSHEET

Dear Nissan Customer:

We are concerned about your satisfaction with your Nissan vehicle. Repairing a squeak or rattle sometimes can be very difficult. To help us fix your Nissan right the first time, please take a moment to note the area of the vehicle where the squeak or rattle occurs and under what conditions. You may be asked to take a test drive with a service advisor or technician to ensure we confirm the noise you are hearing.

I. WHERE DOES THE NOISE COME FROM? (circle the area of the vehicle)

The illustrations are for reference only, and may not reflect the actual configuration of your vehicle.



Continue to page 2 of the worksheet and briefly describe the location of the noise or rattle. In addition, please indicate the conditions which are present when the noise occurs.

PIIB8740E

SQUEAK AND RATTLE TROUBLE DIAGNOSES

< SYMPTOM DIAGNOSIS >

SQUEAK & RATTLE DIAGNOSTIC WORKSHEET - page 2

Briefly describe the location where the noise occurs:

II. WHEN DOES IT OCCUR? (please check the boxes that apply)

- | | |
|---|--|
| <input type="checkbox"/> anytime | <input type="checkbox"/> after sitting out in the rain |
| <input type="checkbox"/> 1st time in the morning | <input type="checkbox"/> when it is raining or wet |
| <input type="checkbox"/> only when it is cold outside | <input type="checkbox"/> dry or dusty conditions |
| <input type="checkbox"/> only when it is hot outside | <input type="checkbox"/> other: |

III. WHEN DRIVING:

- through driveways
- over rough roads
- over speed bumps
- only about ____ mph
- on acceleration
- coming to a stop
- on turns: left, right or either (circle)
- with passengers or cargo
- other: _____
- after driving ____ miles or ____ minutes

IV. WHAT TYPE OF NOISE

- squeak (like tennis shoes on a clean floor)
- creak (like walking on an old wooden floor)
- rattle (like shaking a baby rattle)
- knock (like a knock at the door)
- tick (like a clock second hand)
- thump (heavy, muffled knock noise)
- buzz (like a bumble bee)

TO BE COMPLETED BY DEALERSHIP PERSONNEL

Test Drive Notes:

	YES	NO	Initials of person performing
Vehicle test driven with customer	<input type="checkbox"/>	<input type="checkbox"/>	_____
- Noise verified on test drive	<input type="checkbox"/>	<input type="checkbox"/>	_____
- Noise source located and repaired	<input type="checkbox"/>	<input type="checkbox"/>	_____
- Follow up test drive performed to confirm repair	<input type="checkbox"/>	<input type="checkbox"/>	_____

VIN: _____ Customer Name: _____
W.O.# _____ Date: _____

This form must be attached to Work Order

PIIB8742E

A
B
C
D
E
F
G
H
I
IP
K
L
M
N
O
P

PRECAUTIONS

< PRECAUTION >

PRECAUTION

PRECAUTIONS

Precaution for Supplemental Restraint System (SRS) "AIR BAG" and "SEAT BELT PRE-TENSIONER"

INFOID:000000007566554

The Supplemental Restraint System such as "AIR BAG" and "SEAT BELT PRE-TENSIONER", used along with a front seat belt, helps to reduce the risk or severity of injury to the driver and front passenger for certain types of collision. This system includes seat belt switch inputs and dual stage front air bag modules. The SRS system uses the seat belt switches to determine the front air bag deployment, and may only deploy one front air bag, depending on the severity of a collision and whether the front occupants are belted or unbelted. Information necessary to service the system safely is included in the "SRS AIR BAG" and "SEAT BELT" of this Service Manual.

WARNING:

Always observe the following items for preventing accidental activation.

- To avoid rendering the SRS inoperative, which could increase the risk of personal injury or death in the event of a collision that would result in air bag inflation, all maintenance must be performed by an authorized NISSAN/INFINITI dealer.
- Improper maintenance, including incorrect removal and installation of the SRS, can lead to personal injury caused by unintentional activation of the system. For removal of Spiral Cable and Air Bag Module, see "SRS AIR BAG".
- Never use electrical test equipment on any circuit related to the SRS unless instructed to in this Service Manual. SRS wiring harnesses can be identified by yellow and/or orange harnesses or harness connectors.

PRECAUTIONS WHEN USING POWER TOOLS (AIR OR ELECTRIC) AND HAMMERS

WARNING:

Always observe the following items for preventing accidental activation.

- When working near the Air Bag Diagnosis Sensor Unit or other Air Bag System sensors with the ignition ON or engine running, never use air or electric power tools or strike near the sensor(s) with a hammer. Heavy vibration could activate the sensor(s) and deploy the air bag(s), possibly causing serious injury.
- When using air or electric power tools or hammers, always switch the ignition OFF, disconnect the battery, and wait at least 3 minutes before performing any service.

Service Procedure Precautions for Models with a Pop-up Roll Bar

INFOID:000000007566555

WARNING:

Always observe the following items for preventing accidental activation.

- Risk of passenger injury or death may increase if the pop-up roll bar does not deploy during a roll over collision. In order to reduce the chance of an incident where the pop-up roll bar is inoperative, all maintenance must be performed by a NISSAN or INFINITI dealer.
- Before removing and installing the pop-up roll bar component parts and harness, always turn the ignition switch OFF, disconnect the battery negative terminal, and wait for 3 minutes or more. (The purpose of this operation is to discharge electricity that is accumulated in the auxiliary power supply circuit in the air bag diagnosis sensor unit.)
- When repairing, removing, and installing a pop-up roll bar, always refer to SRS AIR BAG and SRS AIR BAG CONTROL warnings in the Service Manual.

Precaution

INFOID:000000007566556

- Disconnect battery negative terminal in advance.
- Disconnect air bag system line in advance.
- Never tamper with or force air bag lid open, as this may adversely affect air bag performance.
- Be careful not to scratch pad and other parts.
- When removing or disassembling any part, be careful not to damage or deform it. Protect parts, which may get in the way with a shop cloth.
- When removing parts with a screwdriver or other tool, cover the tool surface by vinyl tape to protect parts.
- Keep removed parts protected with a shop cloth.
- If a clip is deformed or damaged, replace it.

PRECAUTIONS

< PRECAUTION >

- If an un reusable part is removed, replace it with a new one.
- Tighten bolts and nuts firmly to the specified torque.
- After reassembly has been completed, make sure each part functions correctly.
- Remove stains in the following way.

Water-soluble stains:

Dip a soft cloth in warm water, and then squeeze it tightly. After wiping the stain, wipe with a soft dry cloth.

Oil stain:

Dissolve a synthetic detergent in warm water (density of 2 to 3%), dip the cloth, then clean off the stain with the cloth. Next, dip the cloth in fresh water and squeeze it tightly. Then clean off the detergent completely. Then wipe the area with a soft dry cloth.

- Never use any organic solvent, such as thinner or benzene.

A

B

C

D

E

F

G

H

I

IP

K

L

M

N

O

P

PREPARATION

< PREPARATION >

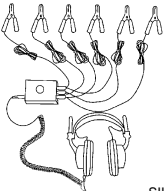
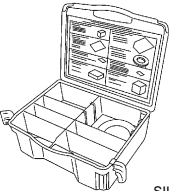
PREPARATION

PREPARATION

Special Service Tools

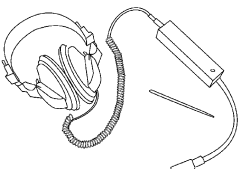
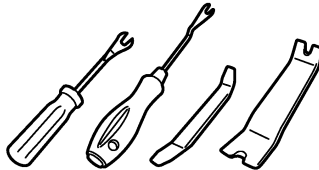
INFOID:000000007566557

The actual shapes of Kent-Moore tools may differ from those of special service tools illustrated here.

Tool number (Kent-Moore No.) Tool name	Description
<p>(J-39570) Chassis ear</p>  <p style="text-align: right;">SIIA0993E</p>	<p>Locates the noise</p>
<p>(J-43980) NISSAN Squeak and Rattle Kit</p>  <p style="text-align: right;">SIIA0994E</p>	<p>Repairs the cause of noise</p>

Commercial Service Tools

INFOID:000000007566558

Tool name	Description
<p>Engine ear</p>  <p style="text-align: right;">SIIA0995E</p>	<p>Locates the noise</p>
<p>Remover tool</p>  <p style="text-align: right;">JMKIA3050ZZ</p>	<p>Removes clips, pawls, and metal clips</p>

CLIP LIST

< PREPARATION >

CLIP LIST

Clip List

INFOID:000000007566559

Shapes	Removal & Installation	Shapes	Removal & Installation
	<p>Removal: Remove by bending up with flat-bladed screwdrivers or clip remover.</p>	<p>Clip A Clip B</p>	<p>Removal:</p> <p>Finisher Clip A Flat-bladed screwdriver Clip B</p>
	<p>Removal: Remove with a clip remover.</p>	<p>Clip A Clip B (Grommet)</p>	<p>Removal:</p> <p>Flat-bladed screwdriver Finisher Body panel Clip A Clip B (Grommet)</p>
	<p>Removal: Push center pin to catching position. (Do not remove center pin by hitting it.)</p> <p>Push</p> <p>Installation:</p> <p>Push</p>		<p>Removal: Holder portion of clip must be spread out to remove rod.</p>
	<p>Removal: Remove by bending up with flat-bladed screwdrivers or clip remover.</p> <p>Clip Finisher</p>		<p>Removal:</p> <ol style="list-style-type: none"> Screw out with a Phillips screwdriver. Remove female portion with flat-bladed screwdriver.
	<p>Removal:</p>		<p>Removal:</p> <p>Rotate 45° to remove.</p> <p>Installation:</p>
	<p>Removal:</p>		<p>Removal:</p>

JMJIA3734GB

A
B
C
D
E
F
G
H
I
IP
K
L
M
N
O
P

INSTRUMENT PANEL ASSEMBLY

< REMOVAL AND INSTALLATION >

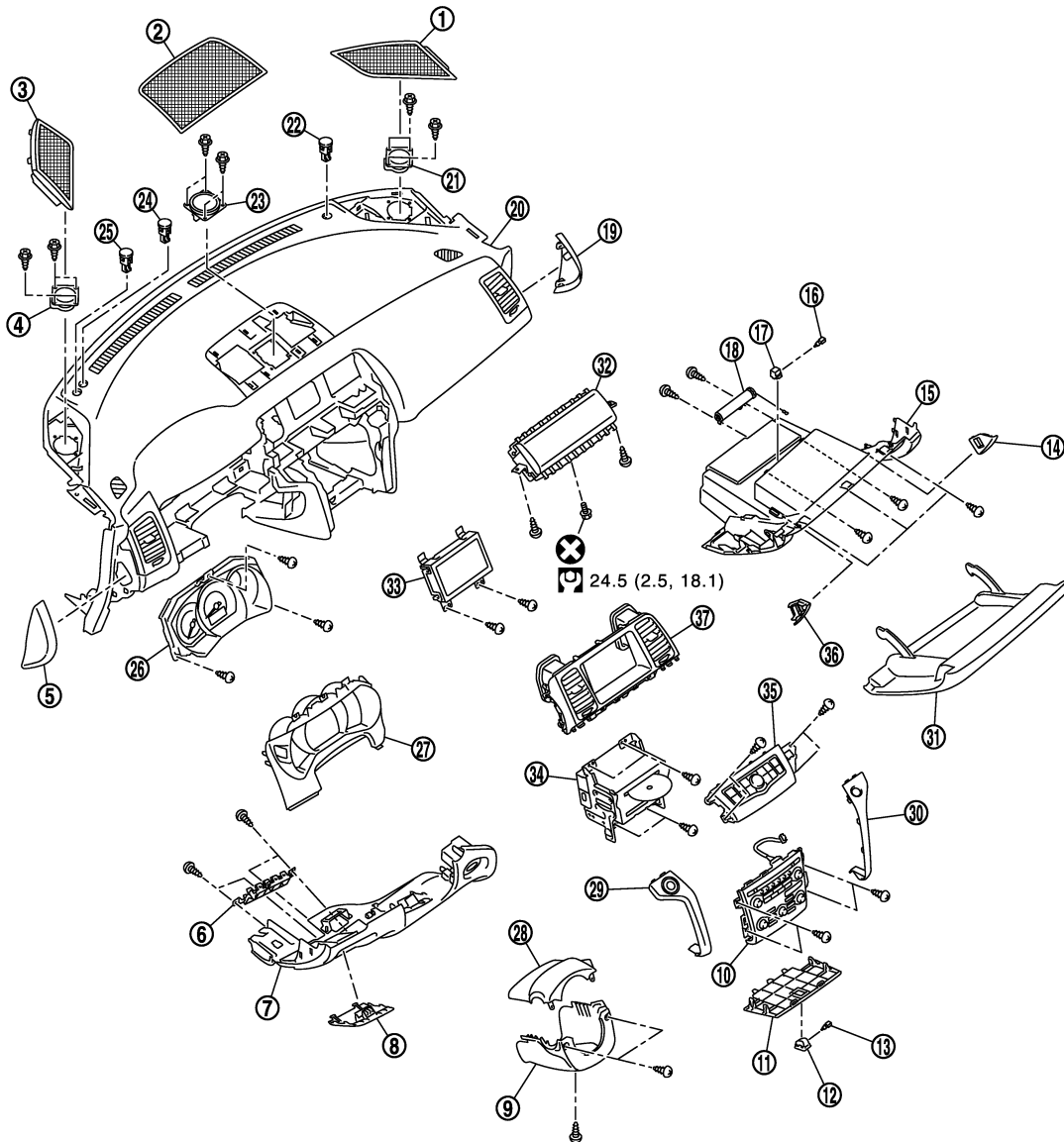
REMOVAL AND INSTALLATION

INSTRUMENT PANEL ASSEMBLY

Exploded View

INFOID:000000007566560

SEC. 680





JMJIA4610GB

INSTRUMENT PANEL ASSEMBLY

< REMOVAL AND INSTALLATION >

- | | | | |
|---------------------------------|--------------------------------|--------------------------------|---|
| 1. Speaker grille RH | 2. Center speaker grille | 3. Speaker grille LH | A |
| 4. Front squawker LH | 5. Instrument side finisher LH | 6. Switch bracket | |
| 7. Instrument lower panel LH | 8. Fuse block lid | 9. Steering column lower cover | |
| 10. Cluster lid C | 11. Cluster lid C (lower) | 12. Illumination lamp | B |
| 13. Socket and bulb | 14. Glove box striker RH | 15. Instrument lower panel RH | |
| 16. Socket and bulb | 17. Glove box lamp | 18. Glove box dumper | |
| 19. Instrument side finisher RH | 20. Instrument panel assembly | 21. Front squawker RH | C |
| 22. Optical sensor | 23. Center speaker | 24. Sunload sensor | |
| 25. Security indicator | 26. Combination meter | 27. Cluster lid A | |
| 28. Steering column upper cover | 29. Instrument stay cover LH | 30. Instrument stay cover RH | D |
| 31. Glove box lid | 32. Passenger air bag module | 33. Display unit | |
| 34. AV control unit | 35. Cluster lid D | 36. Glove box striker LH | |
| 37. Center ventilator assembly | | | E |

 : Always replace after every disassembly.

 : N·m (kg-m, ft-lb)

Removal and Installation

INFOID:000000007566561

WORK STEP

When removing instrument panel assembly, combination meter, AV control unit (or audio unit), and front display unit take steps in the order shown by the number below.

PARTS	INSTRUMENT PANEL ASSEMBLY	COMBINATION METER	AV CONTROL UNIT (or AUDIO UNIT)	DISPLAY UNIT (or AUDIO DISPLAY UNIT)
Instrument side finisher LH	[1]	[1]		
Front body side welt LH	[2]			
Front pillar garnish LH	[3]			
Speaker grille LH	[4]			
Front squawker LH	[5]			
Vehicle security indicator	[6]			
Sunload sensor	[7]			
Instrument lower panel LH	[8]	[2]		
Driver air bag module	[9]			
Steering wheel	[10]			
Steering column cover	[11]	[3]		
Combination switch	[12]			
Spiral cable	[13]			
Cluster lid A	[14]	[4]		
Combination meter	[15]	[5]		
Cluster lid C (lower)	[16]			
Instrument stay cover LH	[17]		[1]	[1]
Instrument stay cover RH	[18]		[2]	[2]
Cluster lid D	[19]		[3]	[3]
Cluster lid C	[20]		[4]	[4]
AV control unit	[21]		[5]	[5]
Center ventilator assembly	[22]			[6]
Display unit	[23]			[7]

INSTRUMENT PANEL ASSEMBLY

< REMOVAL AND INSTALLATION >

Center speaker grille	[24]			
Center speaker (BOSE audio with NAVI models)	[25]			
Instrument side finisher RH	[26]			
Front body side welt RH	[27]			
Front pillar garnish RH	[28]			
Speaker grille RH	[29]			
Front squawker RH	[30]			
Optical sensor (XENON headlamp models)	[31]			
Instrument lower panel RH	[32]			
Passenger air bag module harness connector	[33]			
Passenger air bag module mounting bolt	[34]			
Instrument panel assembly	[35]			

[]: Number indicates step in removal procedures.

WARNING:


Before servicing, turn ignition switch OFF, disconnect battery negative terminal and wait 3 minutes or more.

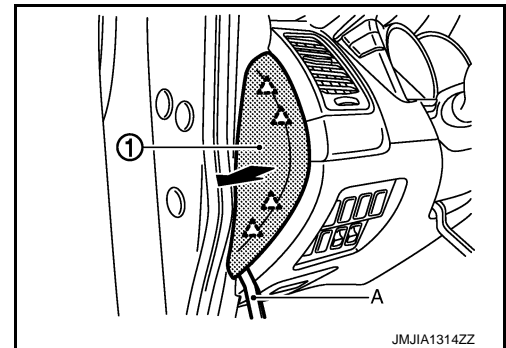
CAUTION:

When removing, always use a remover tool that is made of plastic.


REMOVAL

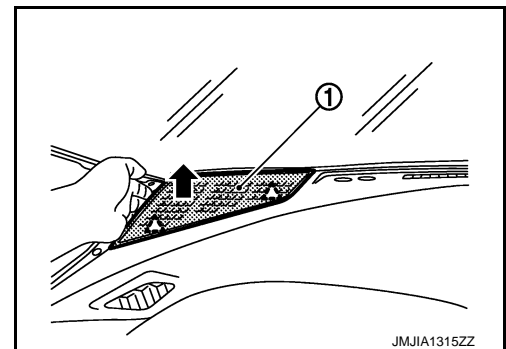
- Remove instrument side finisher LH.
 - Insert a remover tool (A) into lower space.
 - Pull the instrument side finisher LH (1) crosswise.

 : Pawl



- Remove front body side welt LH. Refer to [INT-21, "BODY SIDE WELT : Removal and Installation"](#).
- Remove front pillar garnish LH. Refer to [INT-18, "FRONT PILLAR GARNISH : Removal and Installation"](#).
- Remove speaker grille LH.
 - Pull up speaker grille LH (1) to disengage pawls.
 - Remove speaker grille LH.

 : Pawl


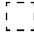


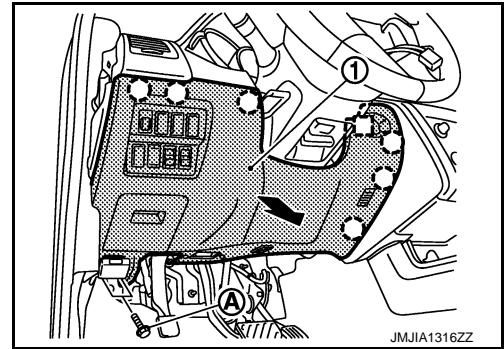
- Remove front squawker LH. Refer to [AV-106, "Removal and Installation"](#).
- Remove vehicle security indicator. Refer to [SEC-110, "Removal and Installation"](#).
- Remove sunload sensor. Refer to [HAC-81, "Removal and Installation"](#).

INSTRUMENT PANEL ASSEMBLY

< REMOVAL AND INSTALLATION >


8. Remove instrument lower panel LH.
 1. Remove hood opener lever fixing bolts (A).
 2. Pull back instrument lower panel LH (1).
 3. Release data link connector (pawl) then remove it from instrument lower panel LH.
 4. Disconnect harness connectors and aspirator duct.

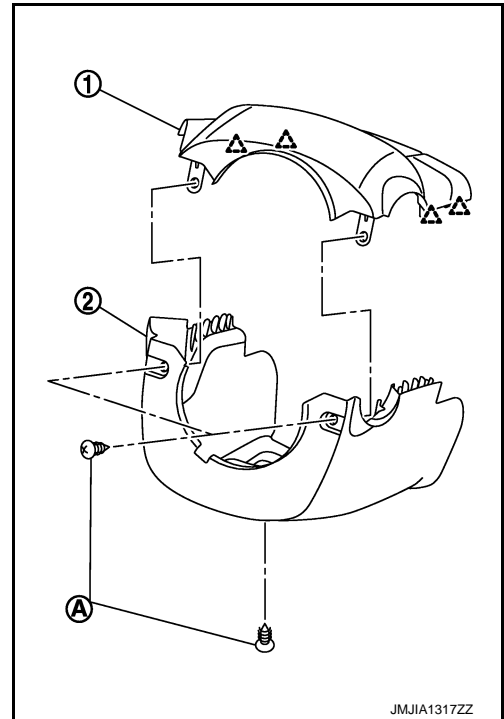
-  : Clip
-  : Metal clip




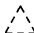
9. Remove driver air bag module. Refer to [SR-11, "Removal and Installation"](#).
10. Remove steering wheel. Refer to [ST-30, "Removal and Installation"](#).

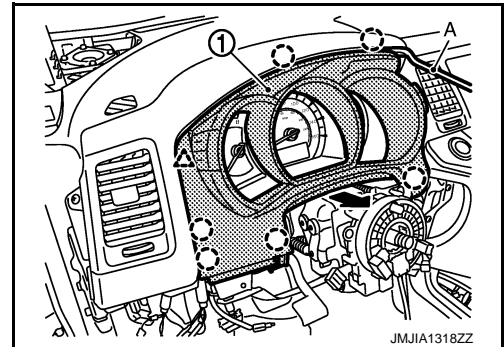
11. Remove steering column covers.
 1. Remove steering column cover fixing screws (A).
 2. Pull up steering column upper cover (1), and then remove steering column upper cover.
 3. Pull down steering column lower cover (2), and then remove steering column lower cover.

-  : Pawl



12. Remove combination switch. Refer to [BCS-77, "Removal and Installation"](#).
13. Remove spiral cable. Refer to [SR-14, "Removal and Installation"](#).
14. Remove cluster lid A.
 1. Pull back cluster lid A (1), and disengage clips and pawl.
 2. Remove cluster lid A.

-  : Clip
-  : Pawl



15. Remove combination meter. Refer to [MWI-70, "Removal and Installation"](#).

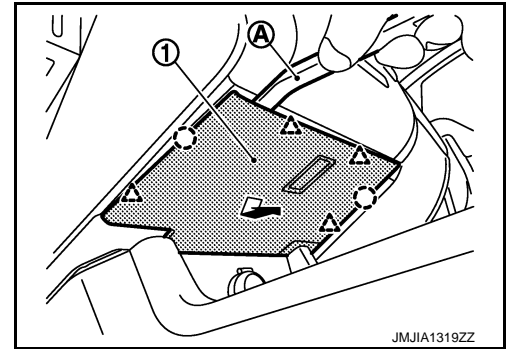
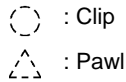
A
B
C
D
E
F
G
H
I
IP
K
L
M
N
O
P

INSTRUMENT PANEL ASSEMBLY

< REMOVAL AND INSTALLATION >

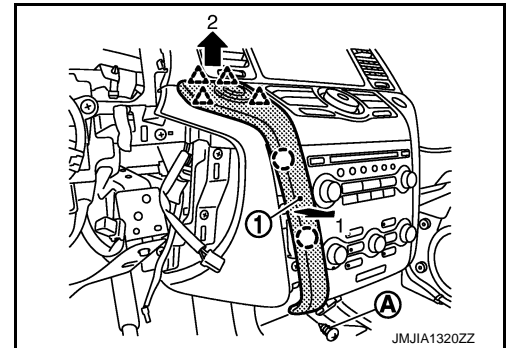
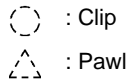
16. Remove cluster lid C (lower).

1. Disengage cluster lid C (lower) (1) fixing clips and pawls with remover tool (A).
2. Pull down cluster lid C (lower).
3. Disconnect illumination lamp harness connector.



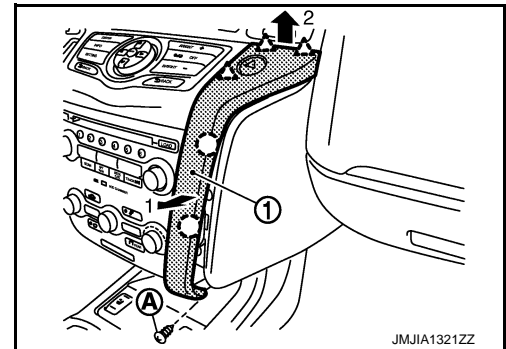
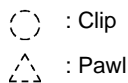
17. Remove instrument stay cover LH.

1. Remove instrument stay cover LH (1) fixing screw (A).
2. Disengage instrument stay cover LH fixing clips and pawls with remover tool.
3. Pull back and pull up instrument stay cover LH.
4. Disconnect push button ignition switch harness connector.



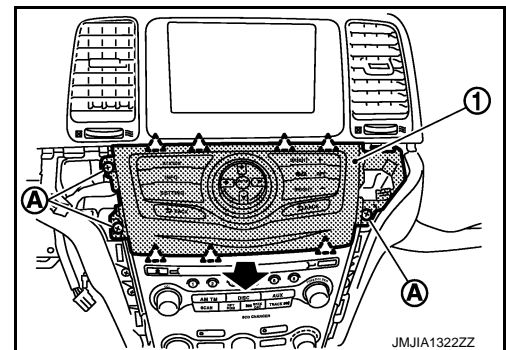
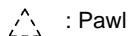
18. Remove instrument stay cover RH.

1. Remove instrument stay cover RH (1) fixing screw (A).
2. Disengage instrument stay cover RH fixing clips and pawls with remover tool.
3. Pull back and pull up instrument stay cover RH.
4. Disconnect hazard switch harness connector.



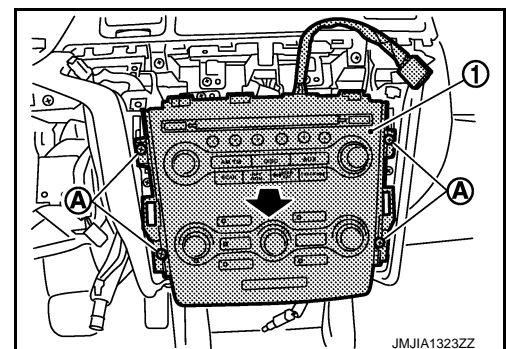
19. Remove cluster lid D.

1. Remove cluster lid D (1) fixing screws (A).
2. Pull back cluster lid D.
3. Disconnect harness connector.



20. Remove cluster lid C.



1. Remove cluster lid C (1) fixing screws (A).
2. Pull back cluster lid C.
3. Disconnect harness connectors.

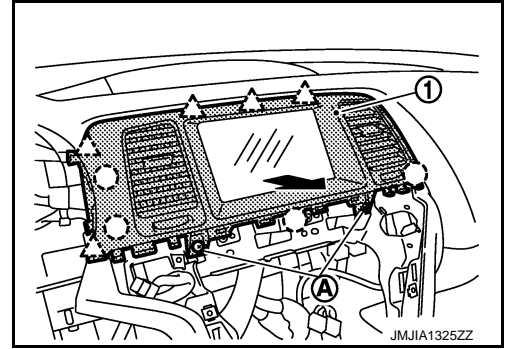


INSTRUMENT PANEL ASSEMBLY


< REMOVAL AND INSTALLATION >

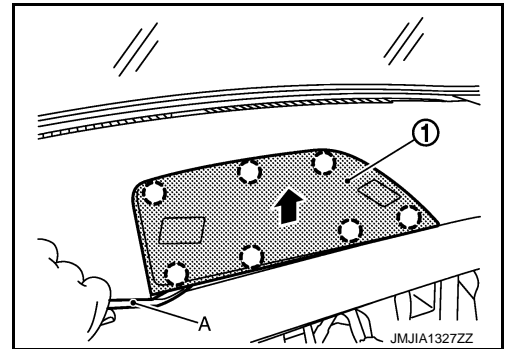
21. Remove AV control unit. Refer to [AV-102. "Removal and Installation"](#).
22. Remove center ventilator assembly.
 1. Remove center ventilator assembly (1) fixing screws (A).
 2. Pull back center ventilator assembly.

-  : Clip
-  : Pawl




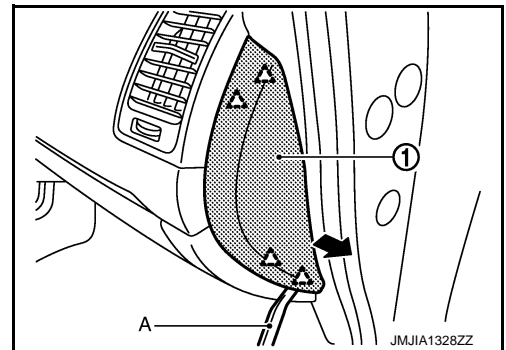
23. Remove display unit. Refer to [AV-104. "Removal and Installation"](#).
24. Remove center speaker grille.
 1. Disengage center speaker grille (1) fixing clips with remover tool (A).
 2. Pull up center speaker grille.

-  : Clip

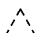


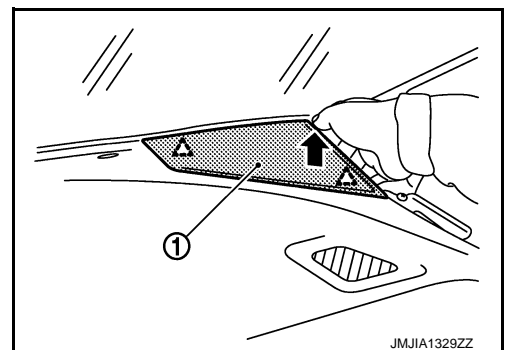
25. Remove center speaker (BOSE audio with NAVI models). Refer to [AV-242. "Removal and Installation"](#).
26. Remove instrument side finisher RH.
 1. Insert a remover tool (A) into lower space.
 2. Pull the instrument side finisher RH (1) crosswise.

-  : Pawl



27. Remove front body side welt RH. Refer to [INT-21. "BODY SIDE WELT : Removal and Installation"](#).
28. Remove front pillar garnish RH. Refer to [INT-18. "FRONT PILLAR GARNISH : Removal and Installation"](#).
29. Remove speaker grille RH.
Pull up speaker grille RH (1).

-  : Pawl



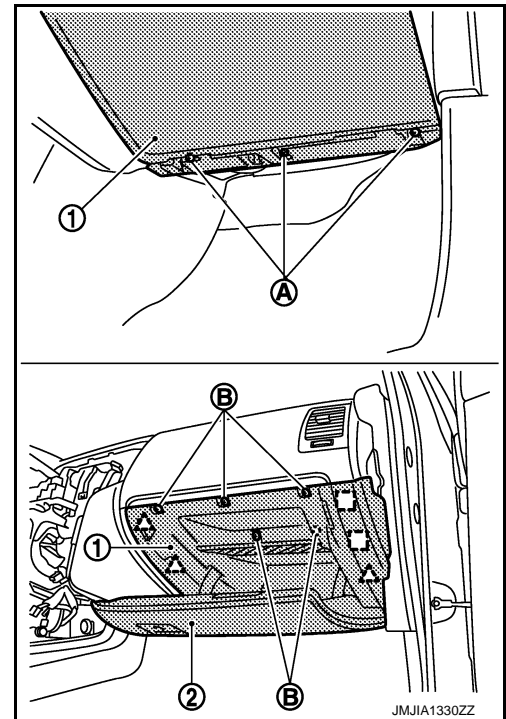
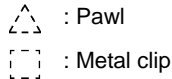
30. Remove front squawker RH. Refer to [AV-106. "Removal and Installation"](#).
31. Remove optical sensor (XENON headlamp models). Refer to [EXL-75. "Removal and Installation"](#).

A
B
C
D
E
F
G
H
I
IP
K
L
M
N
O
P

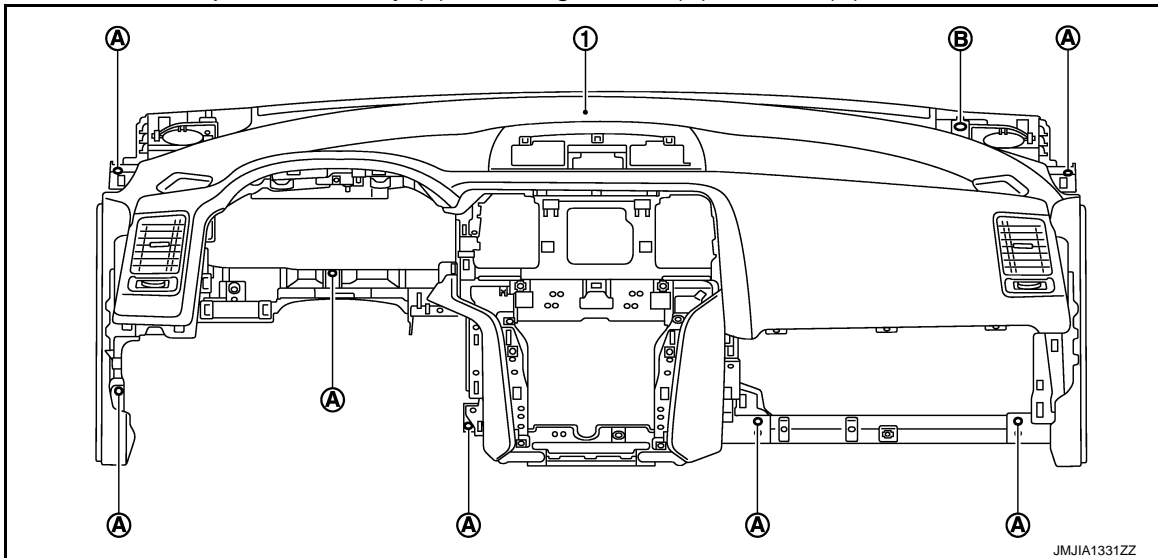
INSTRUMENT PANEL ASSEMBLY

< REMOVAL AND INSTALLATION >

32. Remove instrument lower panel RH.
1. Remove instrument lower panel RH (1) fixing screws (A).
 2. Open the glove box lid (2).
 3. Remove instrument lower panel RH fixing screws (B).
 4. Pull back instrument lower panel RH.
 5. Disconnect harness connector.



33. Disconnect front passenger air bag module connector. Refer to [SR-17, "Removal and Installation"](#).
34. Remove front passenger air bag module fixing bolt. Refer to [SR-17, "Exploded View"](#).
35. Remove instrument panel assembly (1) mounting screws (A) and bolt (B).



36. Remove instrument panel assembly.
- CAUTION:**
- Cover center console upper surface with a shop cloth to prevent it from being damaged.
 - When removing instrument panel assembly, 2 workers are required so as to prevent it from dropping.
37. Remove the following parts after removing instrument panel assembly.
- Passenger air bag module. Refer to [SR-17, "Removal and Installation"](#).
 - Ventilator duct. Refer to [VTL-10, "SIDE VENTILATOR GRILLE : Removal and Installation"](#).
 - Upper ventilator duct. Refer to [VTL-11, "UPPER VENTILATOR DUCT : Removal and Installation"](#).
 - Defroster nozzle and side defroster nozzle LH/RH. Refer to [VTL-11, "DEFROSTER NOZZLE AND SIDE DEFROSTER NOZZLE : Removal and Installation"](#).
 - Side defroster grille LH/RH. Refer to [VTL-10, "SIDE DEFROSTER GRILLE : Removal and Installation"](#).
 - Side ventilator grille LH/RH. Refer to [VTL-10, "SIDE VENTILATOR GRILLE : Removal and Installation"](#).
 - Antenna feeder

INSTRUMENT PANEL ASSEMBLY

< REMOVAL AND INSTALLATION >

- BOSE audio without navigation: Refer to [AV-122, "Feeder Layout"](#).
- BOSE audio with navigation: Refer to [AV-255, "Feeder Layout"](#).

INSTALLATION

Note the following items, and then install in the reverse order of removal.

CAUTION:

- **Never use the steering wheel mounting nut after removal, replace with the new nut.**
- **Never use the driver air bag mounting bolts after removal, replace with the new bolts.**
- **Never use the passenger air bag mounting bolt after removal, replace with the new bolt.**

A
B
C
D
E
F
G
H
I
K
L
M
N
O
P

IP

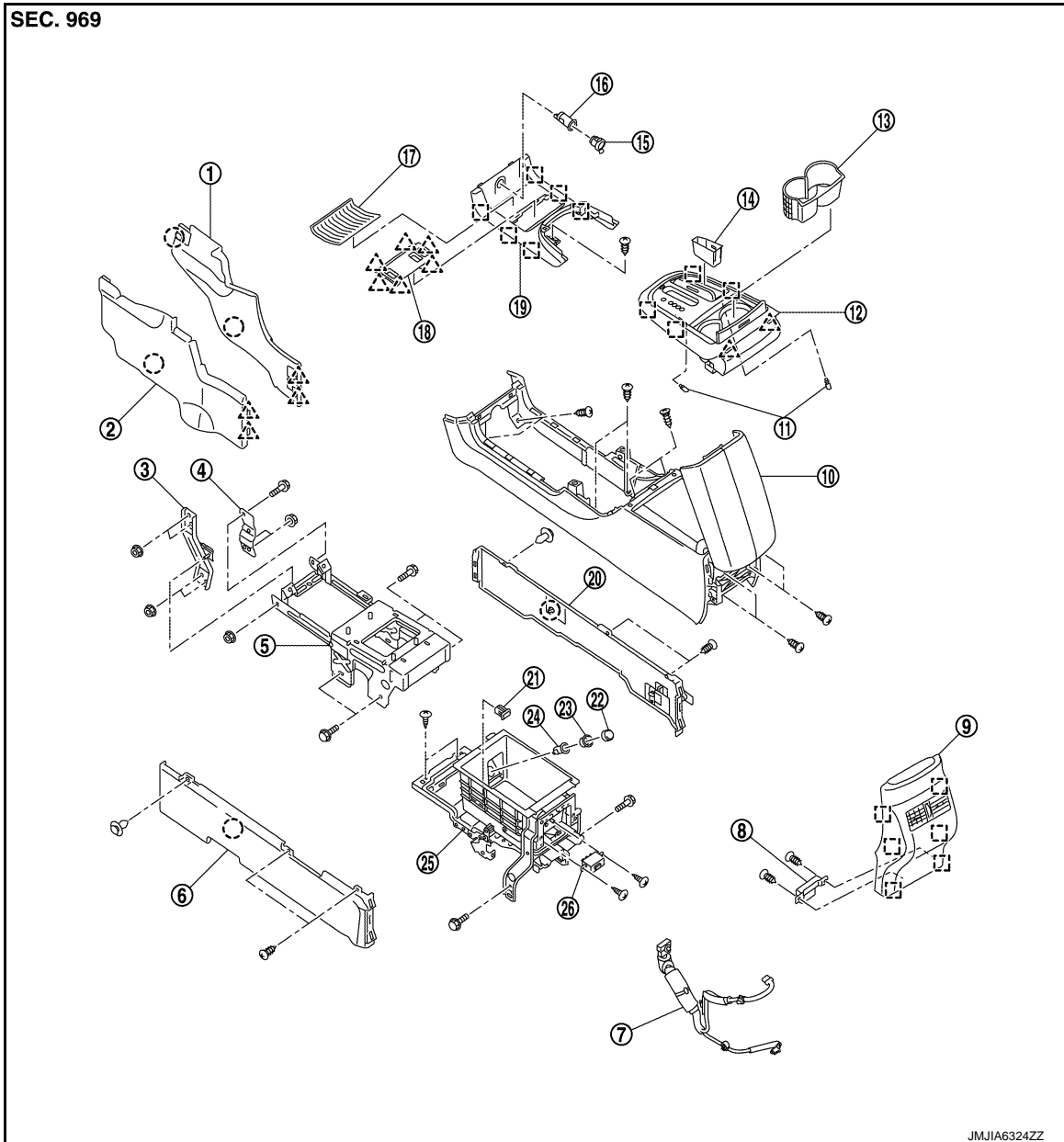
CENTER CONSOLE ASSEMBLY

< REMOVAL AND INSTALLATION >

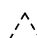
CENTER CONSOLE ASSEMBLY

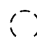
Exploded View

INFOID:000000007566562



- | | | |
|------------------------------|-------------------------------|-------------------------------|
| 1. Instrument lower cover RH | 2. Instrument lower cover LH | 3. Instrument stay |
| 4. Front console bracket | 5. Console reinforcement | 6. Lower console finisher LH |
| 7. Console harness | 8. Inside key antenna | 9. Console rear finisher |
| 10. Center console assembly | 11. Socket and bulb | 12. Console finisher assembly |
| 13. Cup holder assembly | 14. Console pocket | 15. Socket knob |
| 16. Socket inner case | 17. Console mat | 18. Console switch finisher |
| 19. Front console pocket | 20. Lower console finisher RH | 21. USB connector |
| 22. Socket knob | 23. Socket ring | 24. Socket inner case |
| 25. Lower console assembly | 26. Auxiliary input jack | |

 : Pawl

 : Clip

 : Metal clip

CENTER CONSOLE ASSEMBLY

< REMOVAL AND INSTALLATION >

Removal and Installation

INFOID:000000007566563

CAUTION:


When removing, always use a remover tool that is made of plastic.

REMOVAL

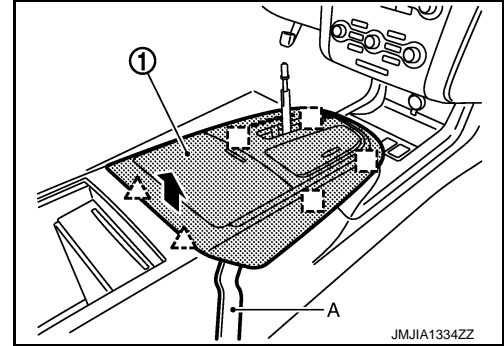
1. Remove selector lever knob. Refer to [TM-143, "Removal and Installation"](#).

2. Remove console finisher assembly.

1. Open the console lid.
2. Remove console finisher assembly (1) fixing pawls and metal clips with remover tool (A).
3. Pull up console finisher assembly.
4. Disconnect harness connectors.

 : Pawl

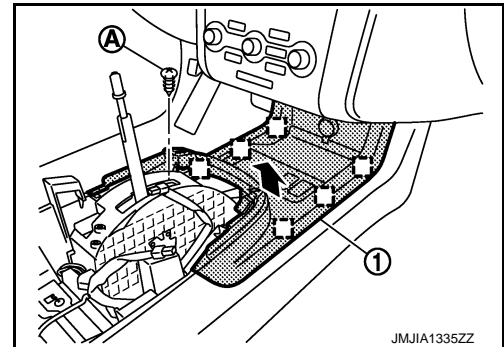
 : Metal clip



3. Remove front console pocket.

1. Remove front console pocket (1) fixing screw (A).
2. Pull up front console pocket, and then disengage metal clips.
3. Disconnect harness connectors.

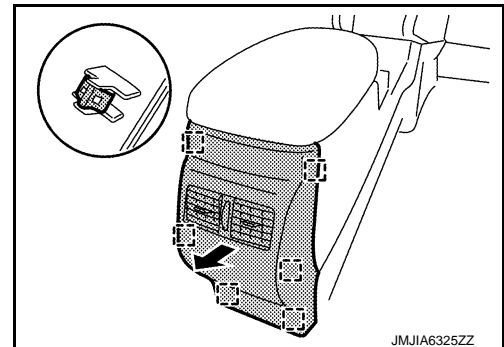
 : Metal clip



4. Remove console rear finisher.

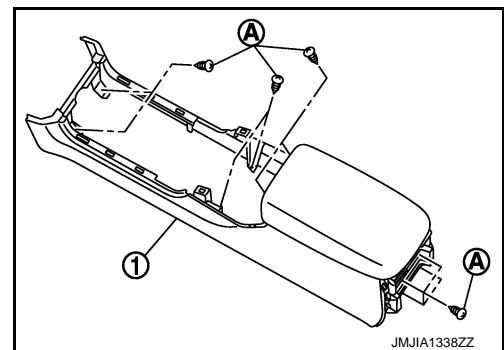
1. Pull back console rear finisher.
2. Disconnect harness connector.

 : Metal clip



5. Remove center console assembly.

1. Remove center console assembly (1) fixing screws (A).
2. Lift up back side and pull back.



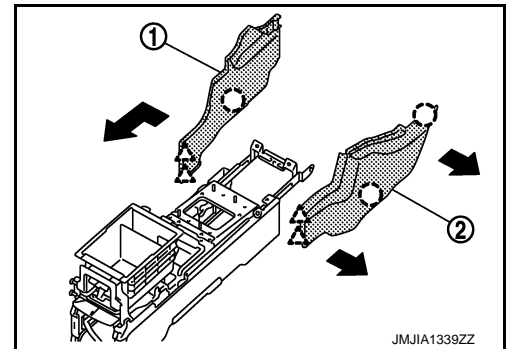
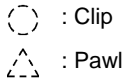
A
B
C
D
E
F
G
H
I
IP
K
L
M
N
O
P

CENTER CONSOLE ASSEMBLY

< REMOVAL AND INSTALLATION >

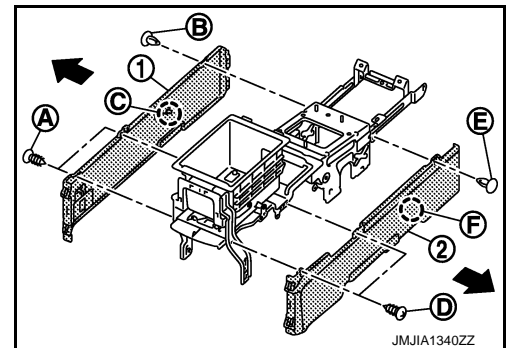
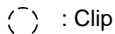
6. Remove instrument lower cover LH and RH.

1. Disengage instrument lower cover LH (1) fixing pawls and clips.
2. Pull back instrument lower cover LH.
3. Disengage instrument lower cover RH (2) fixing pawls and clips.
4. Pull the instrument lower cover RH crosswise.



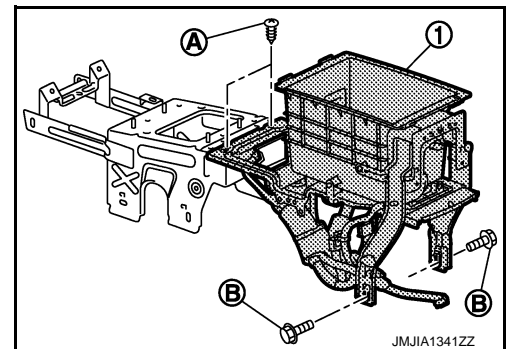
7. Remove lower console finisher LH and RH.

1. Remove lower console finisher LH (1) fixing screws (A).
2. Remove lower console finisher LH fixing clip (B).
3. Remove lower console finisher LH fixing clip (C).
4. Pull the console finisher LH crosswise.
5. Remove lower console finisher RH (2) fixing screws (D).
6. Remove lower console finisher RH fixing clip (E).
7. Remove lower console finisher RH fixing clip (F).
8. Pull the console finisher RH crosswise.



8. Remove lower console assembly.

1. Remove lower console assembly (1) fixing screws (A).
2. Remove lower console assembly mounting bolts (B).
3. Disconnect harness connectors.



NOTE:

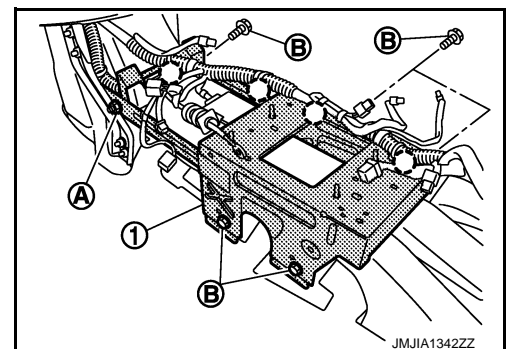
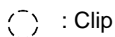
Remove following parts after removing lower console assembly.

- USB connector: Refer to [AV-114. "Removal and Installation"](#).
- Auxiliary input jacks: Refer to [AV-113. "Removal and Installation"](#).
- Console power socket: Refer to [PWO-4. "CONSOLE POWER SOCKET : Removal and Installation"](#).

9. Remove CVT shift selector. Refer to [TM-143. "Removal and Installation"](#).

10. Remove console reinforcement.

1. Remove console reinforcement (1) mounting nut (A).
2. Remove console reinforcement mounting bolts (B).
3. Remove harness clips.



11. Remove instrument stay mounting nuts, and then remove instrument stay.

12. Remove front console bracket mounting bolt and nut, and then remove front console bracket.

INSTALLATION

Install in the reverse order of removal.